

## **MODEL 2030,2031 I.V POLE FITTING INSTRUCTIONS**

(I.V Pole to be on the patients left hand side)

1. Fold side sidarm down and remove roll Pins FIG 1., FIG 2.  
Use a timber support under the sidarm while removing pins.

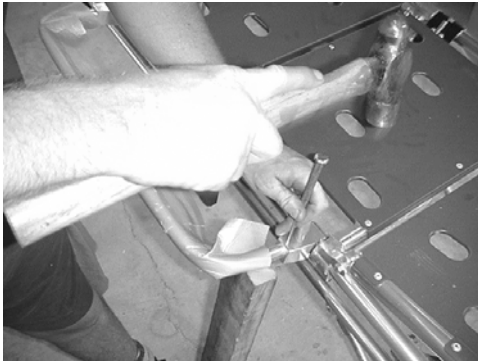


FIG 1.

Timber support

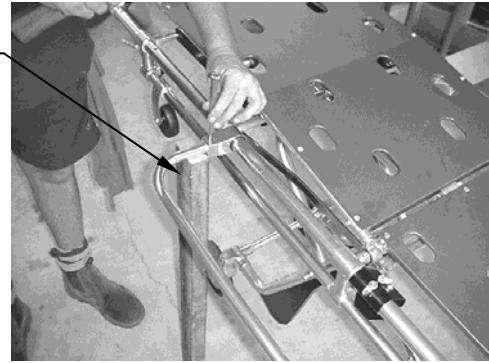


FIG 2.

1. Remove disused sidearm and replace with the I.V pole Assembly (FWE2030) FIG 3. , FIG 4. (Black casting to be at patients foot end)

Black casting at foot end

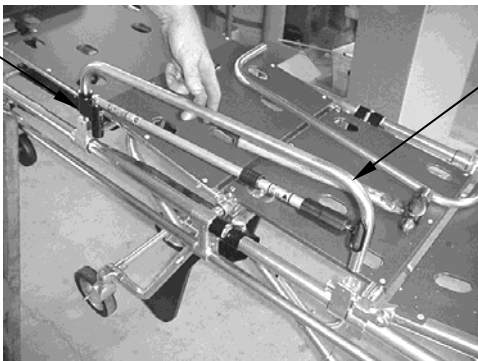


FIG 3.

I.V.pole assembly



FIG 4.

2. Drill hole through front wall first ,ensuring the end of the I.V Pole Sidearm is at the bottom of the hole by pushing down while drilling FIG 5.
3. Drill hole through back wall second Fig 6. (Repeat steps 3,4 for opposite end)



FIG 5.

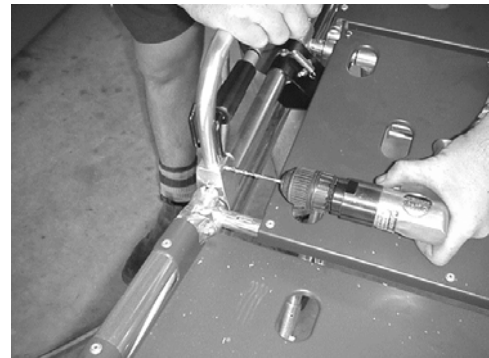


FIG 6.

4. Insert 1"1/8 x 5/32" Roll Pin, use timber support when inserting roll pin FIG 7.
5. Check around the holes after pin has been inserted for burrs or sharp edges FIG 8. (Repeat for opposite end)

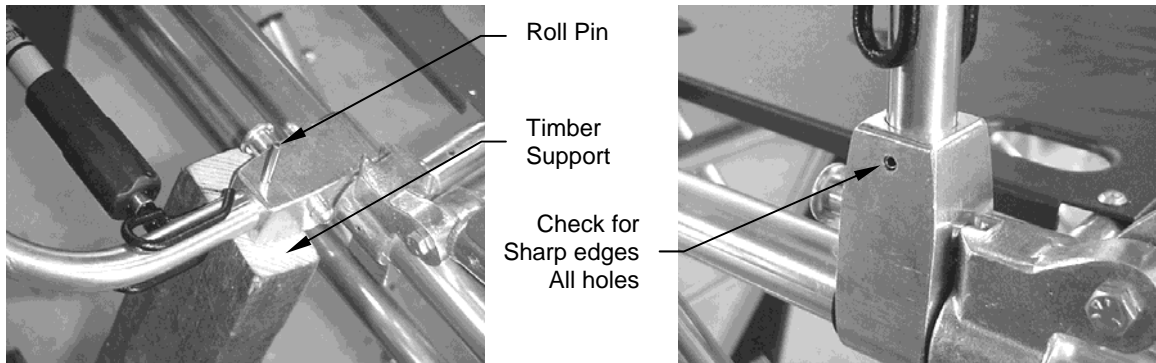


FIG 7.

FIG 8.



FIG 9. View of fitted I.V Pole assembly