



FERNO

*Suppliers of the worlds finest
Pre-Hospital Emergency Care Equipment*

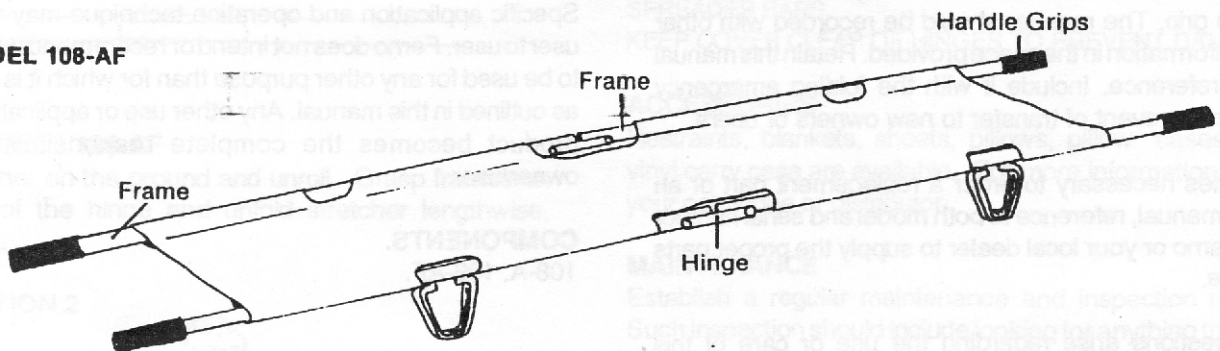
Australia Pty.Ltd.

PH: (07) 3205 5055
INT. PH: 61-7-3205 5055

FOLDING EMERGENCY STRETCHER

OPERATING INSTRUCTIONS AND PARTS LIST FOR MODEL - 108-A & 108-AF

MODEL 108-AF





FOLDING EMERGENCY STRETCHER

INTRODUCTION

Important Information 2
 Components 3
 Physical Aspects 3

OPERATING INSTRUCTIONS

Using Model 108-A 3
 Using Model 108-AF 3

ACCESSORIES 3

MAINTENANCE 3

PARTS LIST

Model 108-A 4
 Model 108-AF 4

SPECIFICATIONS

MODELS	108-A	108-AF
LENGTH	91 in. 231 cm.	91 in. 231 cm.
WIDTH	21 1/2 in. 55 cm.	21 1/2 in. 55 cm.
HEIGHT	5 1/2 in. 14 cm.	5 1/2 in. 14 cm.
WEIGHT	12 lb. 5.5 kg.	13 lb. 6 kg.
MAXIMUM LOAD*	350 lb. 159 kg.	350 lb. 159 kg.

(*) Exceeding this limit may result in injury to the patient and/or damage to the stretcher.

The policy of Ferno Aust. Pty. Ltd. is one of continual improvement in design and workmanship. Therefore, specifications are subject to change without notice.

LIMITED WARRANTY

Any product claimed defective and caused by materials or workmanship within one year after date of purchase will receive prompt investigation and a fair adjustment.

Obligation is limited to replacement or repair of defective components.

IMPORTANT INFORMATION

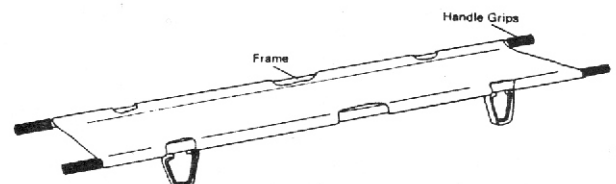
READ INSTRUCTIONS COMPLETELY BEFORE INSTALLING OR OPERATING THIS PRODUCT.

This manual has been prepared to provide general instructions for proper use and maintenance of the Ferno Models 108-A & 108-AF Folding Emergency Stretchers. Specific application and operation technique may vary from user to user. Ferno does not intend or recommend this product to be used for any other purpose than for which it is designed as outlined in this manual. Any other use or application of this product becomes the complete responsibility of the owner/user.

COMPONENTS.

108-A, 108-AF.

MODEL 108-A



CUSTOMER SERVICE

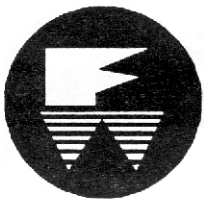
The serial number is located under the vinyl/nylon cover near the handle grip. The number should be recorded with other pertinent information in the space provided. Retain this manual for future reference. Include it with the folding emergency stretcher in the event of transfer to new owners or users.

If it becomes necessary to order a replacement part or an additional manual, reference to both model and serial number will help Ferno or your local dealer to supply the proper parts or literature.

Should questions arise regarding the use or care of this product that are not covered clearly in this manual, the Ferno customer service representatives will be happy to assist you.

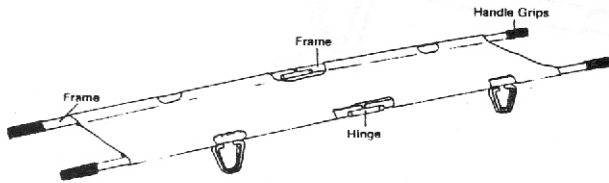
They can be reached at the Ferno Aust. Pty. Ltd.
 (07) 3205 5055

Model number _____
 Serial number _____
 Date received _____
 Purchased from _____
 Practice completion date _____
 Used on vehicle number _____



FOLDING EMERGENCY STRETCHER

MODEL 108-AF



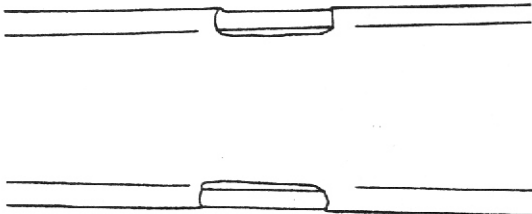
PHYSICAL ASPECTS

This product has been designed to carry a patient from rescue site to the emergency vehicle. Caution should be taken at all times during this manoeuvre. Of utmost importance is having enough attendants available to carry the stretcher. Attendants must have these basic abilities and skills: to grasp firmly with both hands; have sufficient strength in back, arms, and legs to lift, push, and pull; good balance and reflexes; and muscular coordination. Use discretion when selecting attendants to carry the Folding Emergency Stretcher.

USING MODELS 108-A

Unroll stretcher and place next to the patient, Illustration 1.

ILLUSTRATION 1



USING MODELS 108-AF

Place stretcher on the ground and unroll. Grasp frames on both sides of the hinge and unfold stretcher lengthwise, Illustration 2.

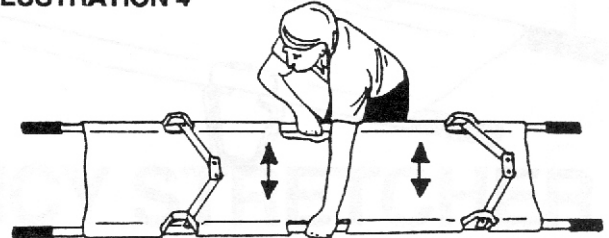
ILLUSTRATION 2



MODEL 108-A & 108-AF

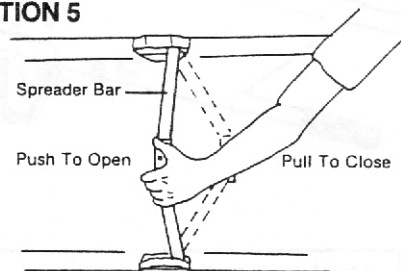
Grasp both sides of the stretcher and pull the frames apart, Illustration 4.

ILLUSTRATION 4



To hold the stretcher in the open position, there are two spreader bars which are pressed into place, locking the stretcher open, Illustration 5.

ILLUSTRATION 5



To close the stretcher, pull spreader bars in opposite direction from which they were opened. When tension of orange cover starts to relax, pull cover away from spreader bars. Close stretcher, wrapping orange cover around poles and put into storage.

CAUTION: BE CAREFUL TO AVOID PINCHING FINGERS IN THE SPREADER BARS.

KEEP COVER CLEAR OF HINGES TO PREVENT DAMAGE.

ACCESSORIES

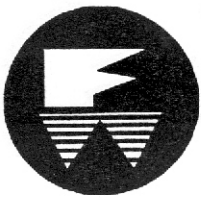
Restraints, blankets, sheets, pillows, pillow cases, and a vinyl carry case are available. For more information, consult your catalogue or distributor.

MAINTENANCE

Establish a regular maintenance and inspection program. Such inspection should include looking for anything that might affect the integrity of the Folding Emergency Stretcher, e.g., bent or broken parts, torn vinyl/nylon cover, etc. If damage is found TAKE IT OUT OF SERVICE until repair or replacement can be made.

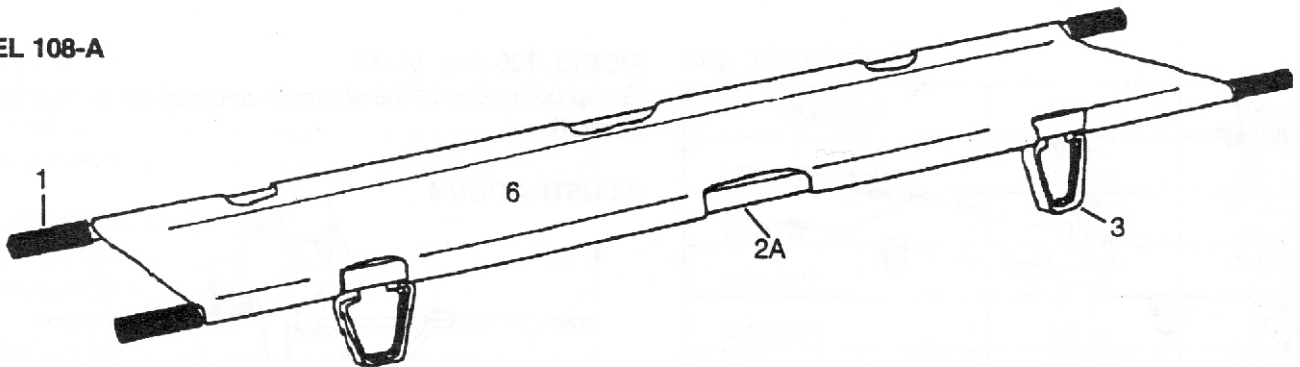
HOW TO MAINTAIN

Routine maintenance is minimal. Exposed metal surfaces are normally polished, plated, or otherwise treated for easy care and appearance. To protect these surfaces, clean as often as needed with soap and water or a mild solvent. Cleaning should be followed by a coat of good wax such as used on automobiles.

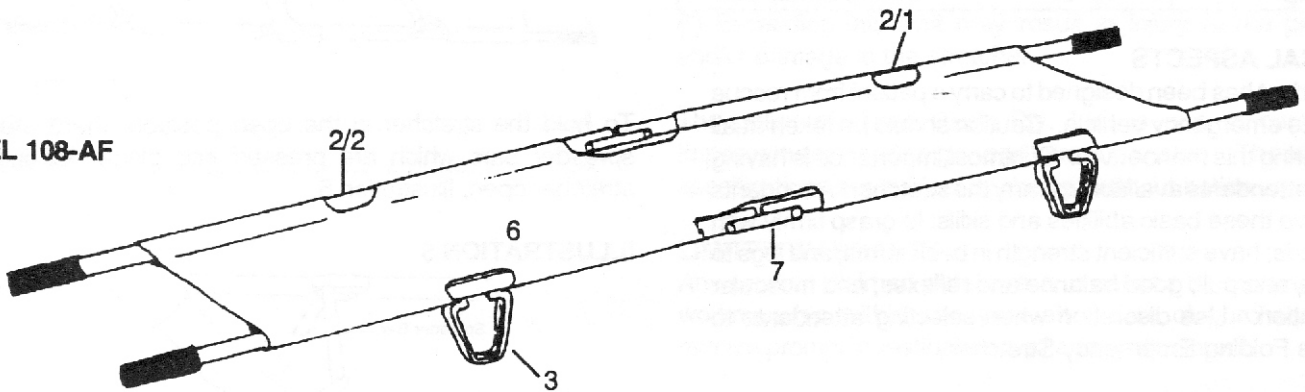


FOLDING EMERGENCY STRETCHER

MODEL 108-A



MODEL 108-AF



Index No.	Replacement Part Number	Description
1	108-01	Handle Grip
2A	108-02A	Frame Tube for 108A
2/1	108-02/1	Frame Tube for 108-AF
2/2	108-02/2	Frame Tube for 108-AF
3	108-03	Corner Foot
	108-04	Spreader Bar (not illustrated)
	108-05	Spreader Bar Hinge (not illustrated)
6	108-06	Cover
7	108-07	Main Frame Hinge

NOTES